

U型隔膜阀 KST230

U TYPE DIAPHRAGM VALVE

工作压力：0-10bar
 工作温度：-40~150℃
 驱动机构：手动控制
 密封材质：EPDM,EPDM+TFM
 阀体设计：U型弯焊
 阀体材质：316L（铸造，EN1.4409 CF3M）
 接口尺寸：主通道（DN1）DN25-DN80
 出料口（DN2）DN15-DN50
 接口方式：KST230-2：焊式
 表面处理：外表面Ra≤0.5μm（SF1），
 内表面Ra≤0.375μm（SF4）
 接口标准：ISO,DIN,ASME BPE.3A,BS

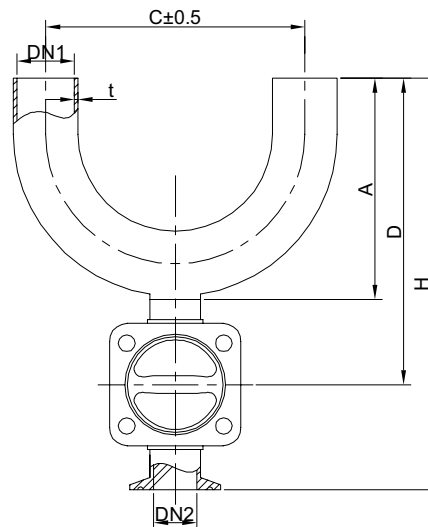


Working pressure: 0-10bar
 Working temperature: -40~150℃
 Drive mechanism: manual control
 Seal material: EPDM+TFM, EPDM
 Body design: U type bending welding
 Body material: 316L (casting, CF3M EN1.4409)
 Interface size: main channel (DN1) DN25-DN80
 Discharge port (DN2) DN15-DN50
 Interface mode: KST230-2: Welding
 Surface treatment: the outer surface of Ra is less than or equal to 0.5 m (SF1),
 The inner surface of Ra is less than or equal to 0.375 m (SF4)
 Interface standard: ISO, DIN, BPE.3A BS, ASME

DN1	DN2				
	DN15	DN20	DN25	DN40	DN50
DN25	⊙	⊙	⊙		
DN40	⊙	⊙	⊙	⊙	
DN50	⊙	⊙	⊙	⊙	⊙
DN65	⊙	⊙	⊙	⊙	⊙
DN80	⊙	⊙	⊙	⊙	⊙

U型隔膜阀

U TYPE DIAPHRAGM VALVE



No.KST230-2

Size	A	C	D	H	t
DN20-15	86.2	114.4	108.2	139.7	1.6
DN20-20	86.2	114.4	117.7	168.5	1.6
DN25-20	89.4	114.4	130.4	171.7	1.2
DN25-25	89.4	152.4	138.9	198.9	1.2
DN40-15	135.6	152.4	157.6	189.1	1.2
DN40-20	135.6	152.4	167.1	217.9	1.2
DN40-25	135.6	152.4	185.5	245.5	1.2
DN40-40	135.6	152.4	215.5	295.0	1.2
DN50-15	155.4	152.4	177.4	208.9	1.2
DN50-20	155.4	152.4	186.9	237.7	1.2
DN50-25	155.4	152.4	204.9	264.9	1.2
DN50-40	155.4	152.4	235.2	314.7	1.2
DN65-20	181.3	190.5	212.8	263.6	1.6
DN65-25	181.3	190.5	230.8	290.8	1.6
DN65-40	181.3	190.5	260.8	340.3	1.6